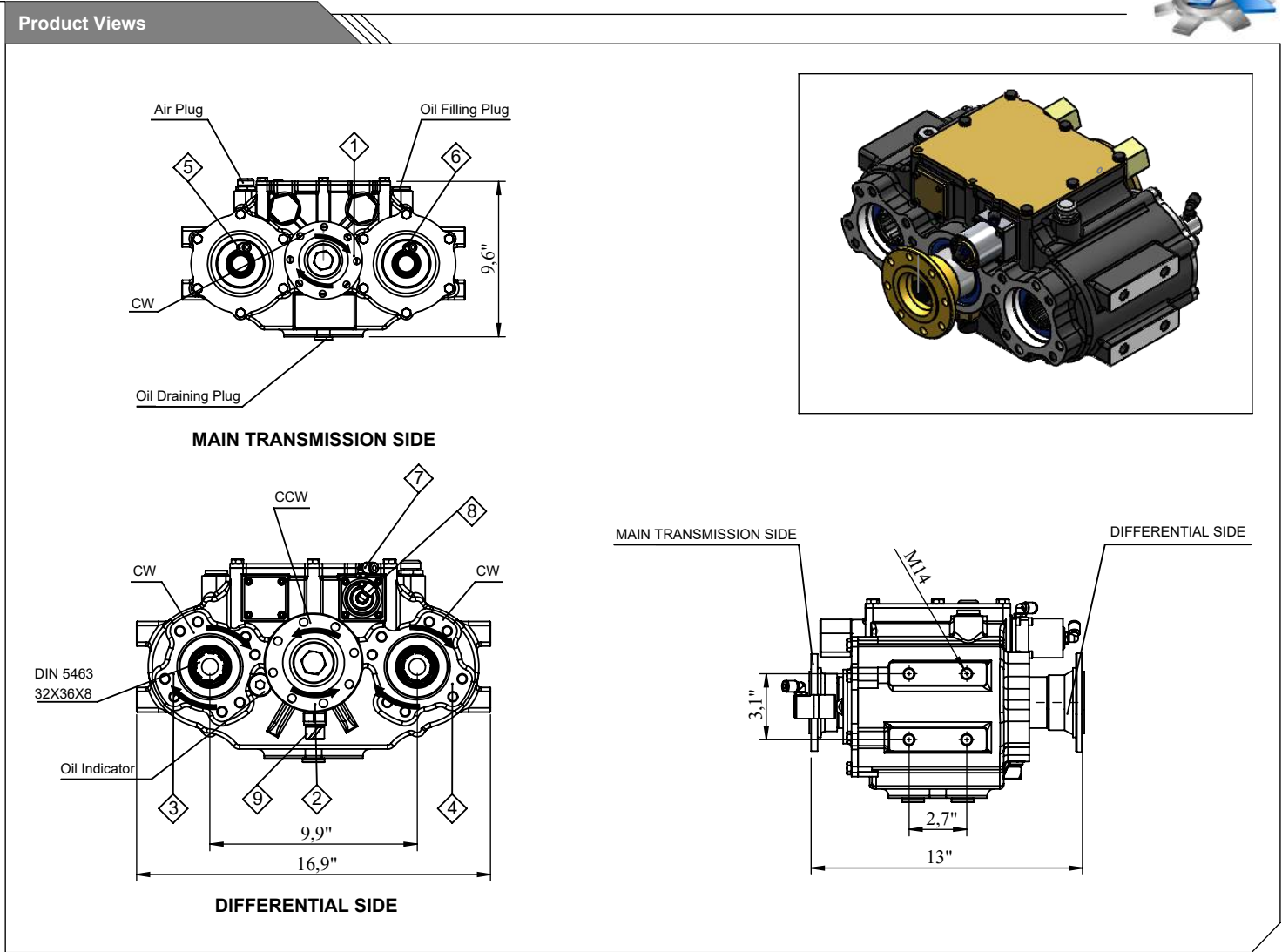


Vehicle Type	USAGE FOR CESSPIT EMTIERS, FOR CLEANING COMBINATION VEHICLES
Gearbox Type	LIGHT DUTY HORIZONTAL SPLIT SHAFT PTO WITH HOT SHIFT FEATURE

Product Code	UARA.241
Revision No-Date	02-02.03.2018



Component Details	
1 : ISO 7647 - ISO 7646 - ISO 8667 Standard Flange	5 : Air Inlet (PTO Output Engage)
2 : ISO 7647 - ISO 7646 - ISO 8667 Standard Flange	6 : Air Inlet (PTO Output Engage)
3 : DIN 5463, Flange Mounting, ISO 4 Bolt, UNI 3 Bolt, SAE B, SEA BB, SEA C	7 : Air Inlet (Main Drive Engage)
4 : DIN 5463, Flange Mounting, ISO 4 Bolt, UNI 3 Bolt, SAE B, SEA BB, SEA C	8 : Air Inlet (Main Drive Disengage)
	9 : RPM Counter (Opt.)

Technical Details					
Outputs	Max. Torque	Max. Power	Internal Ratio	Mounting Type	Control Type
1 & 2	2170 lb-ft		1/1	Split Shaft	Pneumatic & Mechanic
3		80 HP	1/1.38	Weight	Sense of Rotation
4		80 HP	1/1.38	132 LBS	Opposite of Input



Ofis
 Tel. +90 312 354 05 39
 Fax +90 312 354 34 59
 7. Sokak No: 9
 Ostim / ANKARA
 e-mail: info@kozmaksan.com.tr

Fabrika
 Tel. +90 312 267 39 71
 Fax +90 312 267 38 72
 AOS. 1. OSB. Erkunt Cad. No: 6
 Sincan / ANKARA
 Website: www.kozmaksan.net