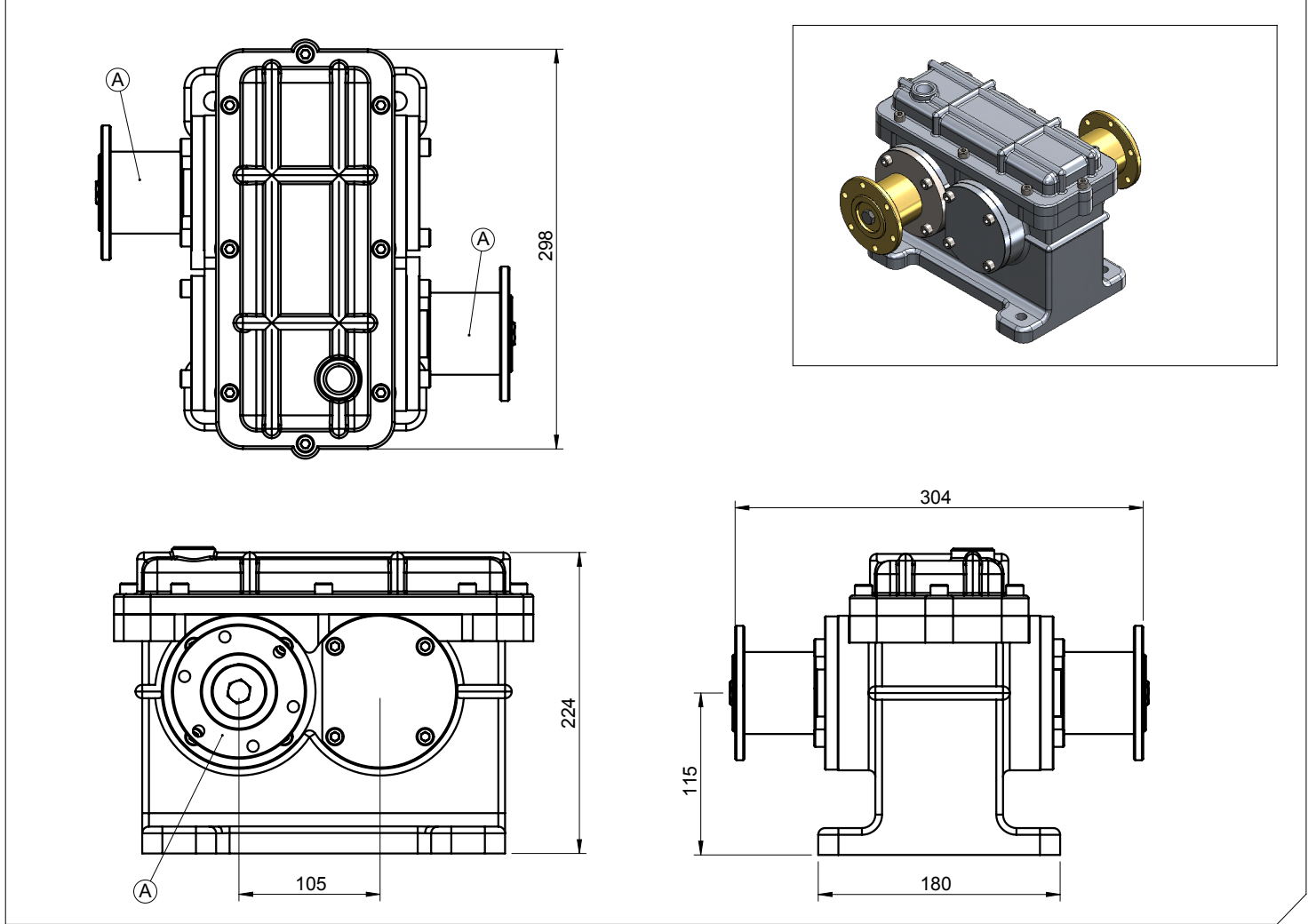


Application Type	Horizontal Usage
Gearbox Type	2 Axis RPM Inceaser

Product Code	<b>KRD.02</b>
--------------	---------------



### Products Views



### Component Details

A : Reductor Input and Output Flanged (DIN100 6 Bolts)

### Technical Details

Max. Power	Max.Torque		Input/Output	Mounting Type	Sense of Rotation	
	kW	Nm				Kgm
50	477	48	1/1	Split Shaft	Opposite of Input	
			1/1.3			
			1/1.42			
			1/1.66	Weight		
			1/2.11			36 kg
			1/2.50			
1/2.73						
1/3.08						